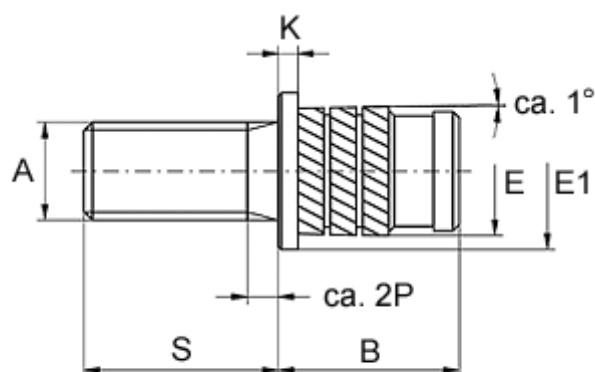


Article number: 12857000060860  
Description: KLEE-coil 857 000 060.860  
M6 Brass

## Measures



Gevindlængde =  $S - 2P$   
P = stigning

Flange diameter E1	= 9.5
Flange height	= 1.3
Male thread A	= M6x1
Min distance to edge	= 2.8
Mounting length B	= 9.2
Outer diameter E	= 8.20
Pin length S	= 16
Recommended bore diameter	= 7.8